

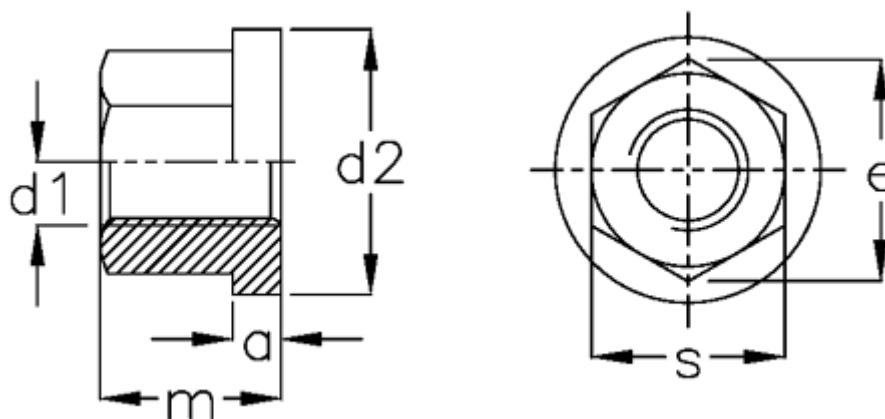
Data Sheet



Article number: 20818514

Description: E+G Collar nut
DIN 6331-M16

Measures



$a = 5.0$
 $d1 = M16$
 $d2 = 31$
 $e = 27.7$
 $m = 24$
 $s = 24$